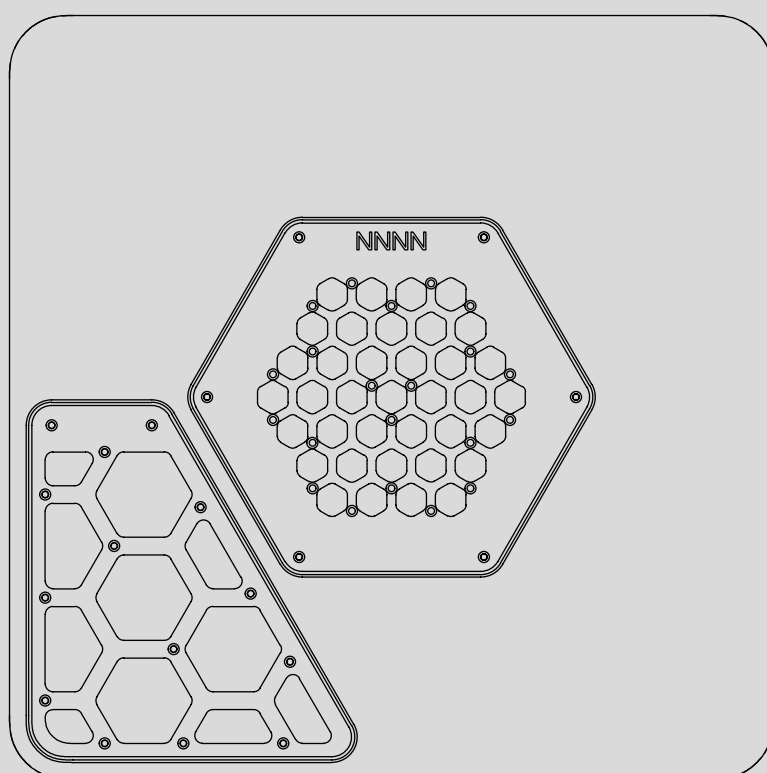


NNNN

Professional audio EN



# Devor 40

Concert subwoofer

V1.0

# Devor 40 owner's manual

Version 1.0

Updated versions uploaded to [www.nnnn.no](http://www.nnnn.no)

© 2020 by NNNN AS ; all rights reserved

Keep this document with the product or in safe storage so it is readily available if needed.

This document should accompany the product if it is ever resold.

NNNN AS  
Syretårnet 43, 3048 Drammen, Norway  
T +47 982 89 816  
[info@nnnn.no](mailto:info@nnnn.no)

# Contents

---

Safety	4
Personal injury	4
Material damage	4
Product Description	5
Sub cardioid	5
Patented technology	6
Deployment	6
Materials	6
Applications	6
Electroacoustics	7
Operation	8
Specifications	9
System data	9
Loudspeaker data	9
Physical data	10
Measurements	10
EU conformity	11
WEEE declaration	12

# Safety

---

## Personal injury

Never stand in the immediate vicinity of loudspeakers driven at a high level. Professional loudspeaker systems are capable of causing sound pressure levels detrimental to human health. Even seemingly non-critical sound levels (from approx. 95 dB SPL) can cause hearing damage if people are exposed to it over longer periods of time.

In order to prevent accidents when deploying loudspeakers on the ground or when flown, please take note of the following:

When setting up the loudspeakers or loudspeaker stands, make sure they are standing on a firm surface. If you place several systems on top of one another, use appropriate securing gear to prevent movement.

Only use accessories which have been tested and approved by NNNN for assembly and mobile deployment. Pay attention to the correct application and maximum load capacity of the accessories as detailed in our rigging manuals.

Ensure that all third party hardware, fixings and fasteners used for installation or mobile deployment are of an appropriate size and load safety factor. Pay attention to the manufacturers' instructions and to the relevant safety guidelines.

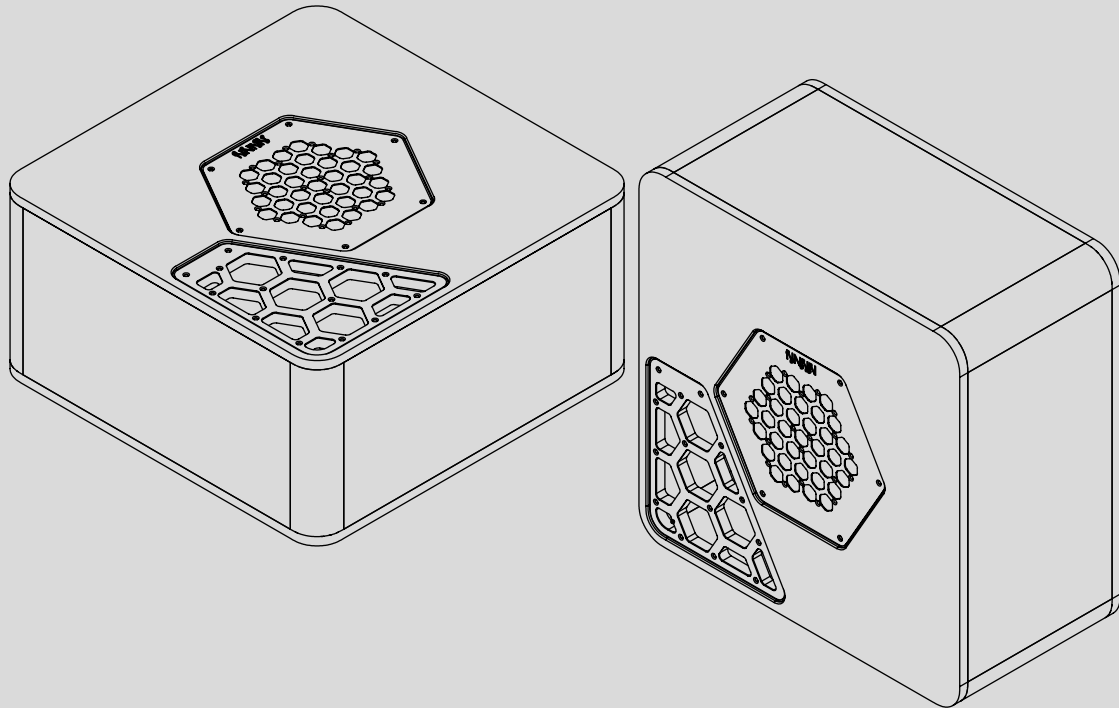
Be careful of pinching and other physical hazards when deploying or transporting equipment.

Regularly check the loudspeaker cabinets and accessories for visible signs of wear and tear, and replace them when necessary.

Regularly check all load bearing bolts in the mounting devices.

## Material damage

Loudspeakers contain magnets which may damage electronic equipment such as hard drives, bank cards, and video monitors. Please store and transport such equipment separately or within appropriate distance to the loudspeakers.



# Product Description

---

The DEVOR 40 is a high performance horn loaded subwoofer system with two 8" studio grade drivers. It provides a low frequency response with very low distortion and a fast impulse response where sound quality is prioritized over sound pressure level. The horn design provides high quality audio reproduction down to 40Hz.

## Sub cardioid

---

The DEVOR 40 has a sub cardioid dispersion pattern all through the frequency range. This allows the sound pressure to be directed towards the audience, and minimizes the need for acoustical treatment of the room, as less energy is reflected off surrounding surfaces.

## Patented technology

---

The patents employed in the DEVOR 40 enable a high degree of directivity. The horn loading mechanism enables sensitivity, impulse response and distortion level that is without competition.

## Deployment

---

The DEVOR 40 can be used stand-alone, stacked or set up in an array configuration with other DEVOR 40 cabinets, or individually flown. The DEVOR subwoofers are also designed with force cancellation, as the two horn loaded drivers are working in opposite directions. This means that vibrations are not transferred through the physical structure or to adjacent cabinets, surfaces or equipment.

## Materials

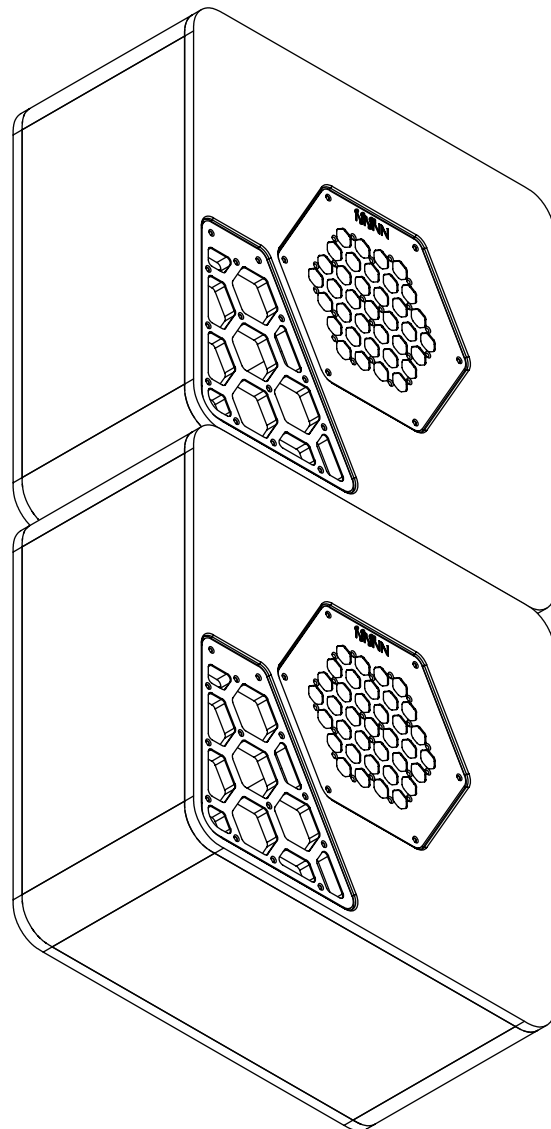
---

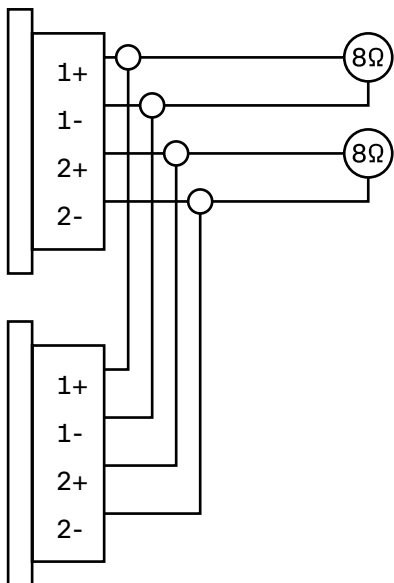
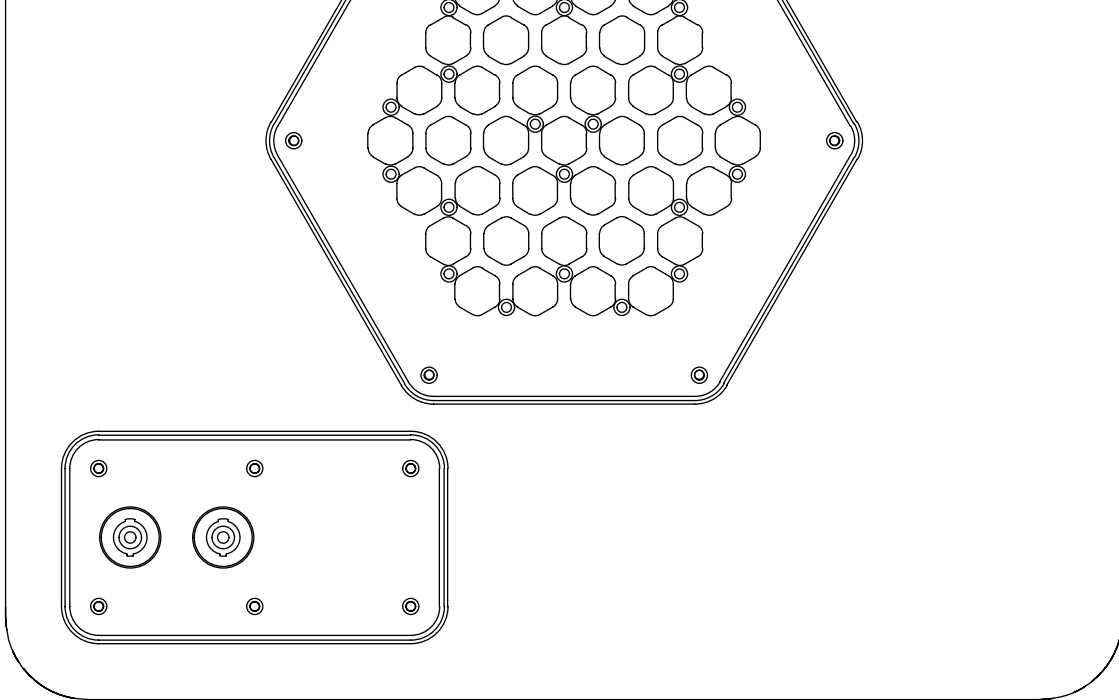
The DEVOR subwoofers are made of spruce plywood coated with a weather, scratch, and impact resistant polyurethane coating. The grilles and rear panel are made of coated aluminium.

## Applications

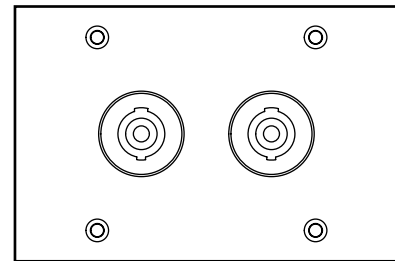
---

The DEVOR 40 is appropriate for a broad range of applications. From clubs to concert halls and auditoriums, but also functions as an impressive bass extension in studio and HiFi setups where 40Hz extension is sufficient. The DEVOR 40 can be combined seamlessly with the Gage 70 arrayable point source.





SpeakON® 4 pole



## Electroacoustics

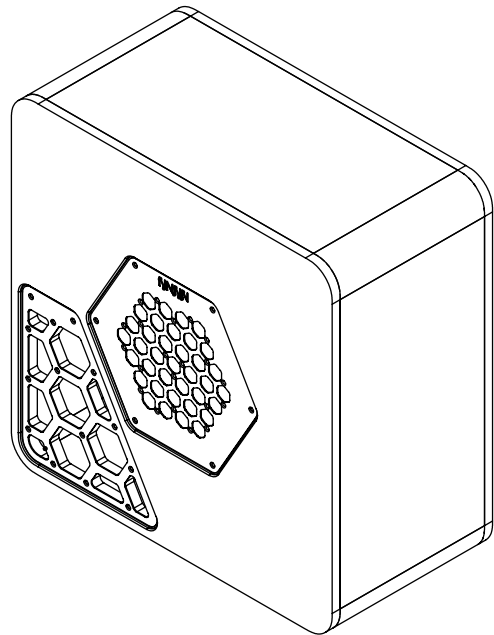
Incorporated into the rear panel are two Neutrik SpeakON 4 pole connectors. All four pins of both connectors are wired in parallel with pins 1+/1- connected to the front driver and pins 2+/2- connected to the rear driver. While using one of the connectors as input, the second can be used to interconnect several cabinets.

# Operation

The DEVOR 40 is a subwoofer that can be driven by any Powersoft amplifier with a NNNN preset or amplifiers with at least two output channels of an appropriate capacity and the NNNN preset loaded into its DSP/ external DSP, any of these solutions must be wired into a SpeakON 4 pole connection. Updated Powersoft amplifiers include presets for the DEVOR 40 in several different setups, which can be accessed through the native menu Speaker preset > NNNN > Devor > Devor 40. A detailed description of the operation of Powersoft amplifiers can be found in the Powersoft Quick Guides.



# Specifications DEVOR 40



## System data

---

Frequency response $\pm$ 3dB	40 - 125 Hz
Max cont. SPL (1m, 2Pi)	120 dB

## Loudspeaker data

---

Nominal impedance front/rear	8 ohms
Power handling capacity (cont./peak)	200 / 500 W
Connections	2 $\times$ SpeakON <sup>®</sup> 4 pole
Components	2 $\times$ 8"

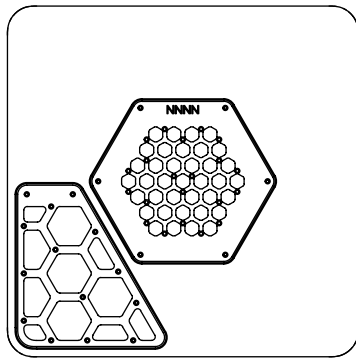
## Physical data

---

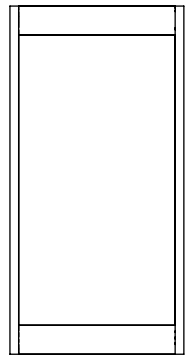
Height	600 mm / 23.6"
Width	600 mm / 23.6"
Depth	300 mm / 11.8"
Weight	21.5 kg / 47.4 lbs

## Measurements

---



1500 mm



1500 mm

600 mm

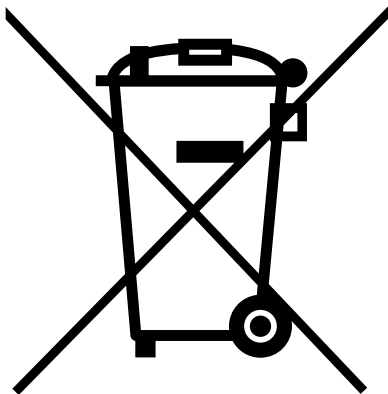


## EU conformity

This declaration applies to:

**NNNN DEVOR 40**

All versions of this/these product(s) are included, given that they correspond to the original technical version and have not been subject to any changes in design or electromechanical construction. We declare that these products are in conformity with the provisions of the respective EC directives including all applicable amendments. A detailed declaration is available on request and can be ordered from NNNN.



## WEEE declaration

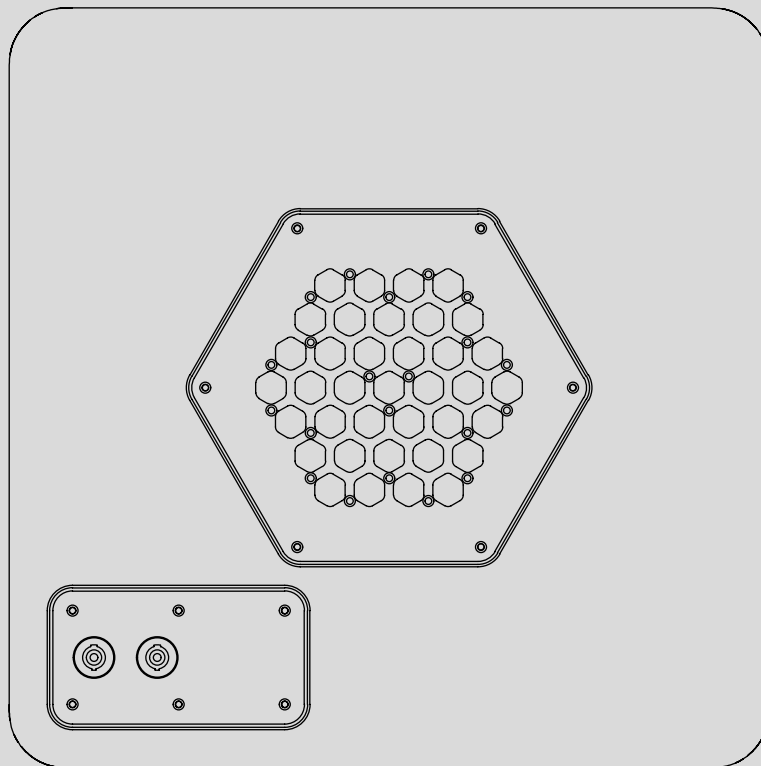
---

Electrical and electronic equipment must be disposed of separately from normal waste at the end of its operational lifetime. Please dispose of this product according to the respective national regulations or contractual agreements. If there are any further questions concerning the disposal of this product, please contact NNNN.



NNNN

Professional audio EN



[nnnn.no](http://nnnn.no)

NNNN AS Model owners manual V1.0