

Comium 30P

Powered surface-mounted loudspeaker V1.1

Comium 30P owner's manual

Version 1.1

Updated versions uploaded to www.nnnn.no

© 2021 by NNNN AS ; all rights reserved

Keep this document with the product or in safe storage so it is readily available if needed.

This document should accompany the product if it is ever resold.

NNNN AS
Syretårnet 43, 3048 Drammen, Norway
T +47 982 89 816
info@nnnn.no

Contents

Safety	4
Personal injury	4
Material damage	4
Product Description	5
Full range	5
High tech	6
Installation	6
Materials	6
Electroacoustics	7
Specifications	8
System data	8
Loudspeaker data	8
Physical data	9
Measurements	9
EU conformity	10
WEEE statement	11

Safety

Personal injury

Never stand in the immediate vicinity of loudspeakers driven at a high level. Professional loudspeaker systems are capable of causing sound pressure levels detrimental to human health. Even seemingly non-critical sound levels (from approx. 95 dB SPL) can cause hearing damage if people are exposed to it for longer periods of time.

In order to prevent accidents when deploying loudspeakers on the ground or when flown, please take note of the following:

When setting up the loudspeakers or loudspeaker stands, make sure they are standing on a firm surface. If you place several systems on top of one another, use appropriate securing gear to prevent movement.

Only use accessories which have been tested and approved by NNNN for assembly and mobile deployment. Pay attention to the correct application and maximum load capacity of the accessories as detailed in our rigging manuals.

Ensure that all third party hardware, fixings and fasteners used for installation or mobile deployment are of an appropriate size and load safety factor. Pay attention to the manufacturers' instructions and to the relevant safety guidelines.

Be careful of pinching and other physical hazards when deploying or transporting equipment.

Regularly check the loudspeaker cabinets and accessories for visible signs of wear and tear, and replace them when necessary.

Regularly check all load bearing bolts in the mounting devices.

Material damage

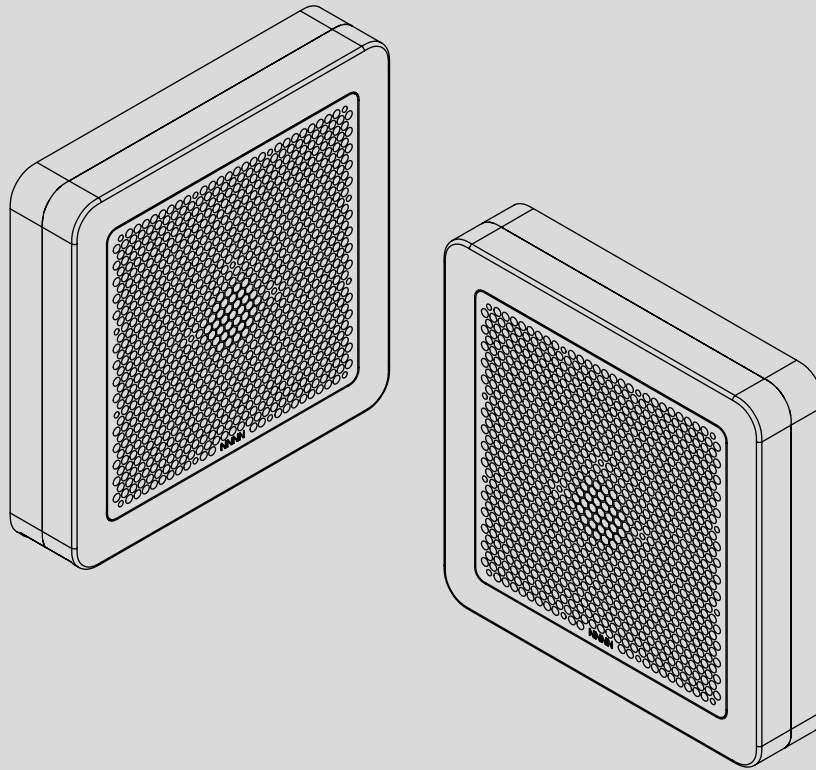
Loudspeakers contain magnets which may damage electronic equipment such as hard drives, bank cards, and video monitors. Please store and transport such equipment separately or within appropriate distance to the loudspeakers.

Do not use this equipment near water.

Do not block any ventilation openings.

Do not install near any heat sources such as radiators, heat registers, stoves or other apparatus that produce heat.

Refer all servicing to qualified NNNN service personnel.



Product Description

The Comium 30P is a surface mounted point source for a wide range of applications. It is capable of providing high-quality bass output in spaces that would normally miss out on this important aspect due to space and interior requirements. The Comium 30P combines 8" and 1" drivers in a compact combined horn and transmission line cabinet.

Full range

The Comium 30P has a low frequency extension similar to a medium sized home theater subwoofer despite it's compact form factor. Bass is an important part of how we experience sound with both our ears and body. For both music and film, a proper low frequency reproduction is often what separates a great sound system from a decent one. This is as true for custom installation as it is for a home audio setup.

High tech

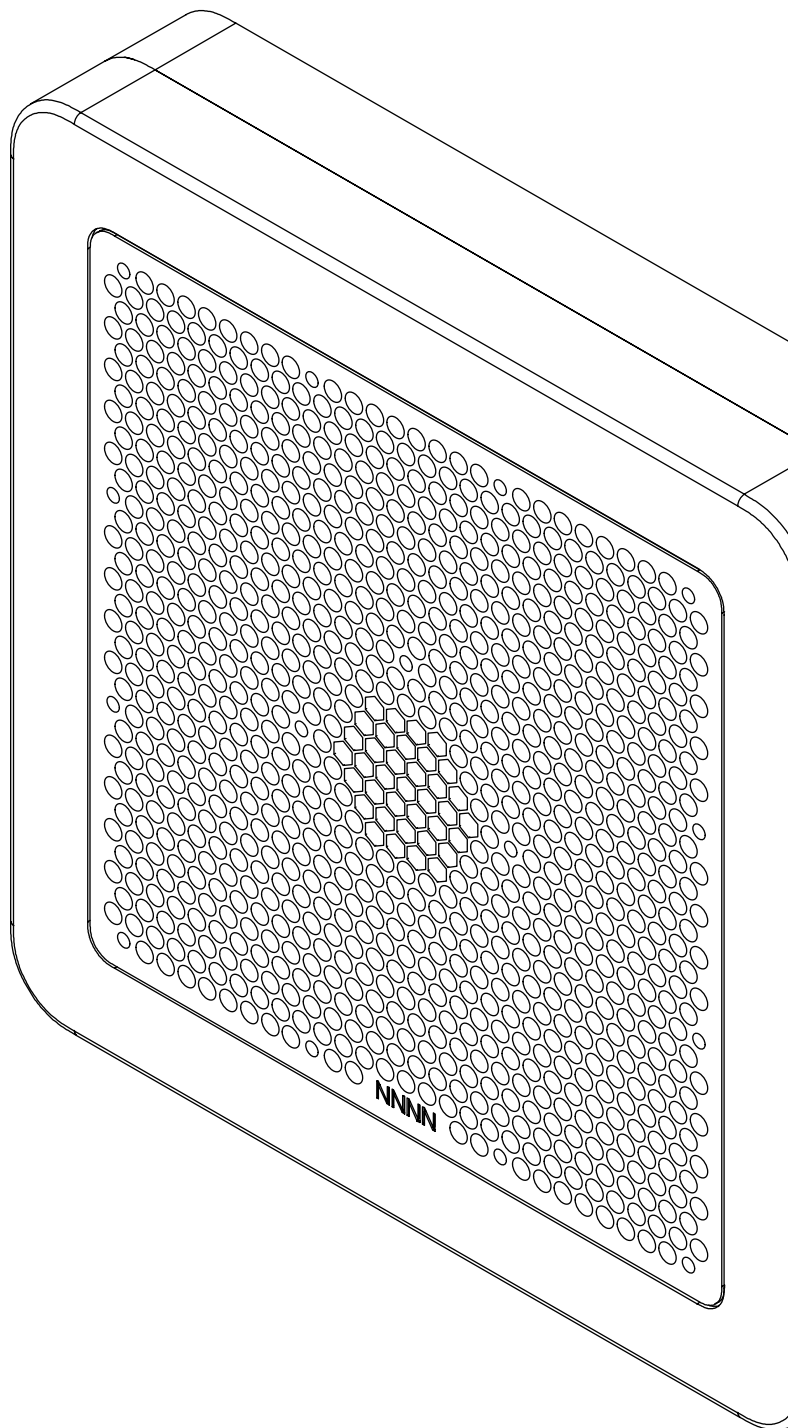
The technology employed in the Comium 30P enables high sensitivity, good impulse response and low distortion level across the loudspeaker's full frequency range.

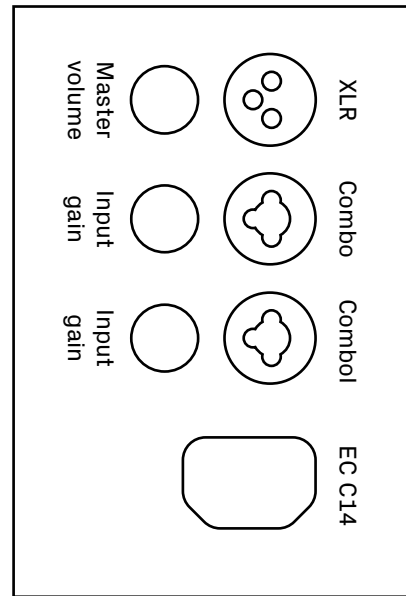
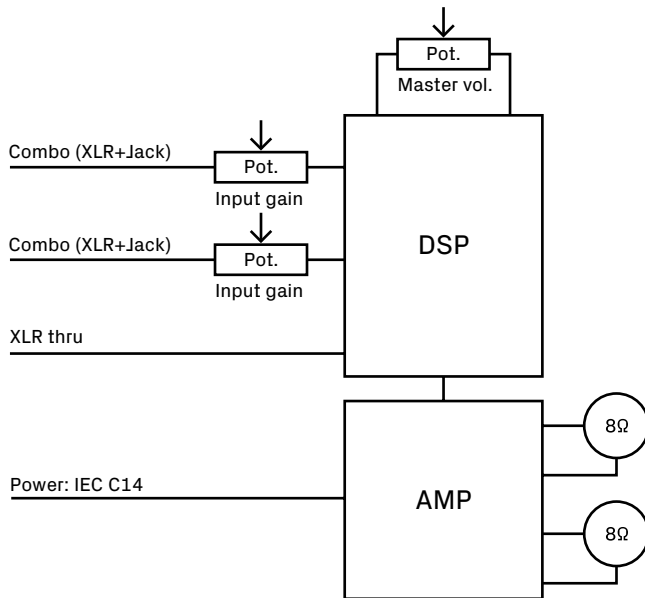
Installation

The Comium 30P is a surface-mounted point source which can be attached with a WESA mount or with screws through the dedicated holes for more permanent installation. The potentiometers and signal connections are easily accessible

Materials

The Comium 30P is designed to be light and sturdy. The cabinet is made of plywood that is covered with a scratch, and impact resistant polyurethane coating. The grilles and input panel are made of coated aluminium.





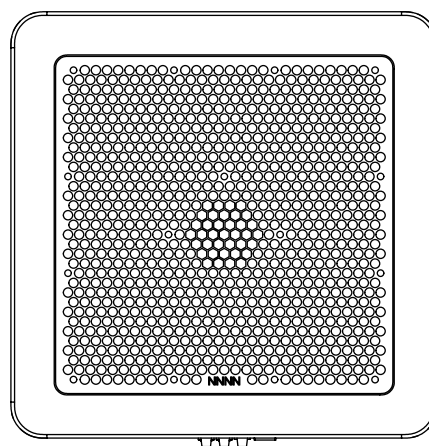
Electroacoustics

The COMIUM 30P is driven by a built in amplifier module with COMIUM 30P presets loaded into the internal DSP. The loudspeaker must exclusively be powered through a IEC C14 connection to earth connected mains sockets in electrical networks compliant to IEC 364 or similar rules. It is absolutely necessary to verify this fundamental requirement of safety and, in case of doubt, this requires an accurate investigation by qualified personnel.

The DSP has two Neutrik Combo and one XLR thru connector. The Neutrik Combos connect to XLR or Jack plugs. The DSP also includes three dials - two for respective input gain and one for master volume.

Specifications

Comium 30P



System data

Frequency response (± 3 db)	30 - 22000 Hz
Max cont. SPL (1m, 2Pi)	114 dB
Nominal dispersion	90° radial

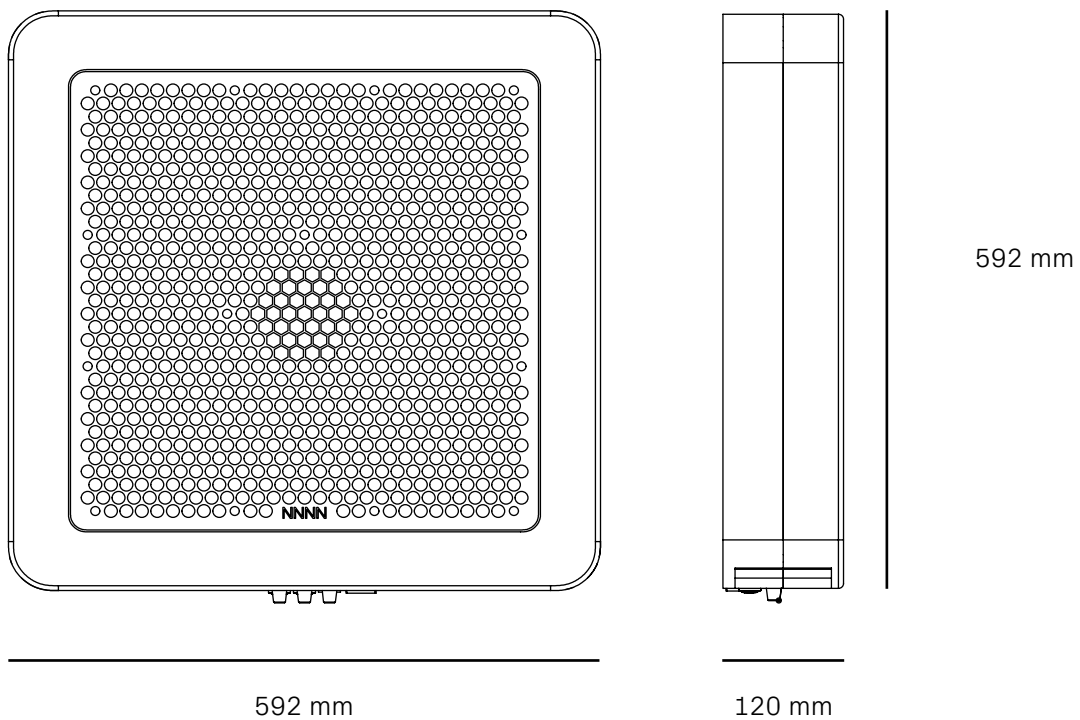
Loudspeaker data

Nominal impedance	HF 8 ohms
	LF 8 ohms
Mains power	50/60 Hz 100-240 V
Amplifier	245 + 175 W Class D
Idle power consumption	0.23 W
full output power consumption	68 W
Connections	2 × Combo (XLR + Jack)
	1 × XLR
	1 × IEC C14
Components	1 × 1"
	1 × 8"

Physical data

Height	592 mm / 23.3"
Width	592 mm / 23.3"
Depth	120 mm / 4.8 "
Weight	15.6 kg / 34.4 lbs
Enclosure material	MDF
Enclosure type	Transmission line + horn

Measurements





EU conformity

This declaration applies to loudspeakers manufactured by NNNN AS. A more detailed document may be found at nnnn.no.

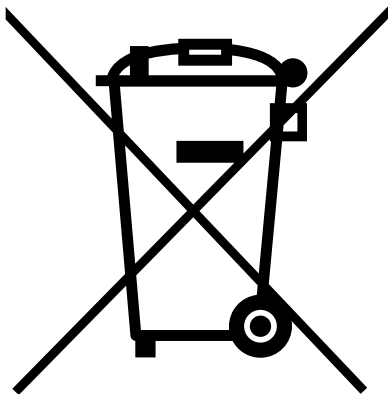
NNNN AS declares that all versions of the following product(s):

NNNN Comium 30P

We declare that these product(s) are in conformity with the provisions of the respective EC directives including all applicable amendments.

2014/35/EU, Low Voltage Directive
2011/65/EU, RoHS
2014/30/EU, Electromagnetic Compatibility

NNNN AS accept responsibility for this declaration

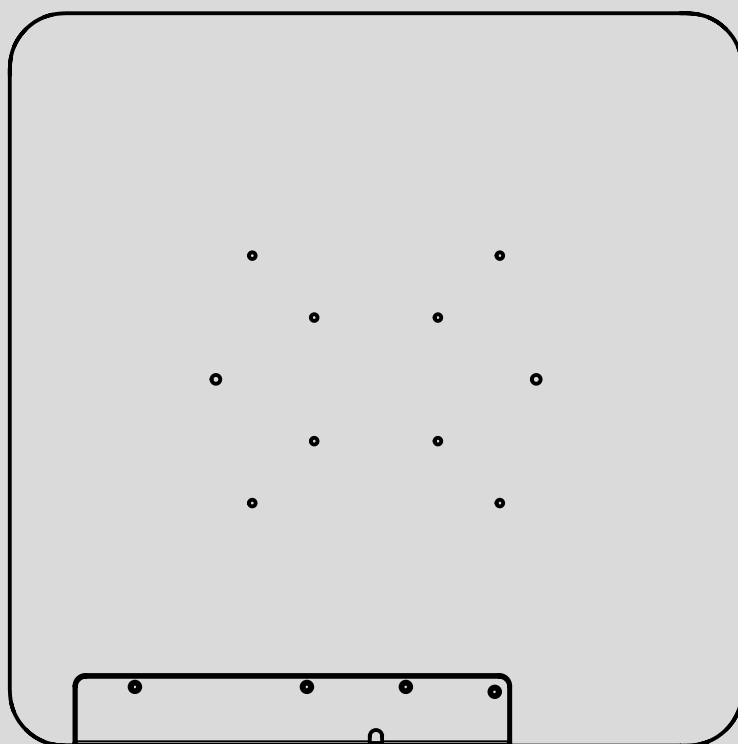


WEEE statement

Electrical and electronic equipment must be disposed of separately from normal waste at the end of its operational lifetime. Please dispose of this product according to the respective national regulations or contractual agreements. If there are any further questions concerning the disposal of this product, please contact NNNN.

NNNN

Professional audio EN



nnnn.no

NNNN AS Comium 30P owner's manual V1.1