

# Gage 60 P

Coaxial Point Source



2-way horn loaded coaxial speaker

High SPL in a small form factor

Controlled dispersion

High feedback resistance

Self-powered and active 2-way configurations

Configuration

Frequency response (3dB)

Max peak SPL music

Max. cont. SPL (1m, 2Pi)

Nominal dispersion

Nominal impedance

Connections

Rigging

Dimensions (WxHxD) mm

Weight

Active 2-way

60 Hz - 20 kHz

> 140 dB

> 125 dB

100° x 60°

HF: 8 Ω

MF: 8 Ω

2× Neutrik SpeakOn 4 pole

35mm pole mount

SMB:G60 Single Mounting Bracket

416 × 416 × 233 mm

16.4 × 16.4 × 9.2 in

14.9 kg / 32.9 lbs

## Active 2-way coaxial

The Gage 60 is designed to provide high sound quality, extended dynamic capabilities, and controlled dispersion with a minimum of lobing, in a small form factor. The Gage 60 has elliptical horns for both woofer and HF drivers, to ensure controlled dispersion from well below the crossover region. A bass port extends the low-frequency cutoff for standalone applications and the horn loading enables extended SPL and reach from 150Hz and up.

## Reduced doppler distortion

The coaxial configuration in Gage 60 reduces HF doppler distortion that is normally caused by the moving woofer

diaphragm used as the HF waveguide in a conventional coaxial driver. Separating the drivers enables a dedicated HF horn, and this reduces doppler distortion both because of the directivity of the HF horn and the increased distance from the HF horn mouth to the woofer diaphragm.

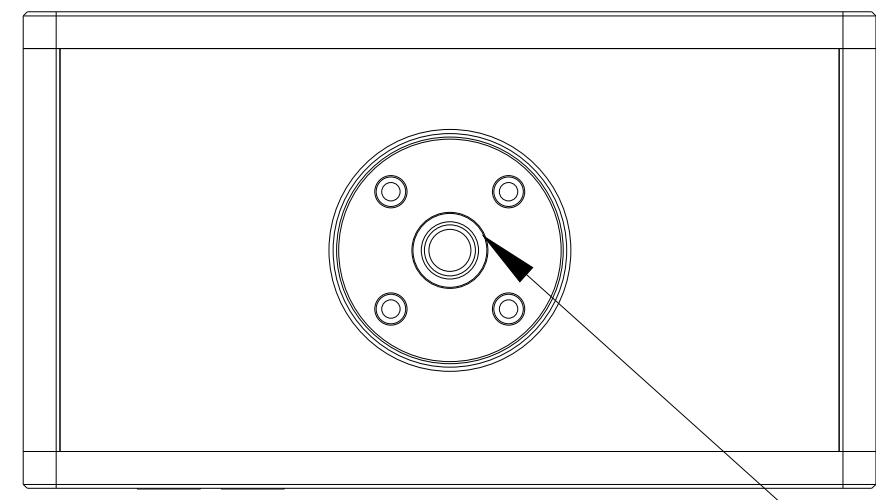
## High SPL, compact formfactor

The Gage 60 provides very high SPL performance in a small and light enclosure. It delivers a max SPL average >125 dB free field at 1m and peak SPL >140 dB playing music. It's compact dimensions and mere 15 kg (33 lbs) makes the Gage 60 easy to handle for portable applications, and with a small visual footprint in installs.

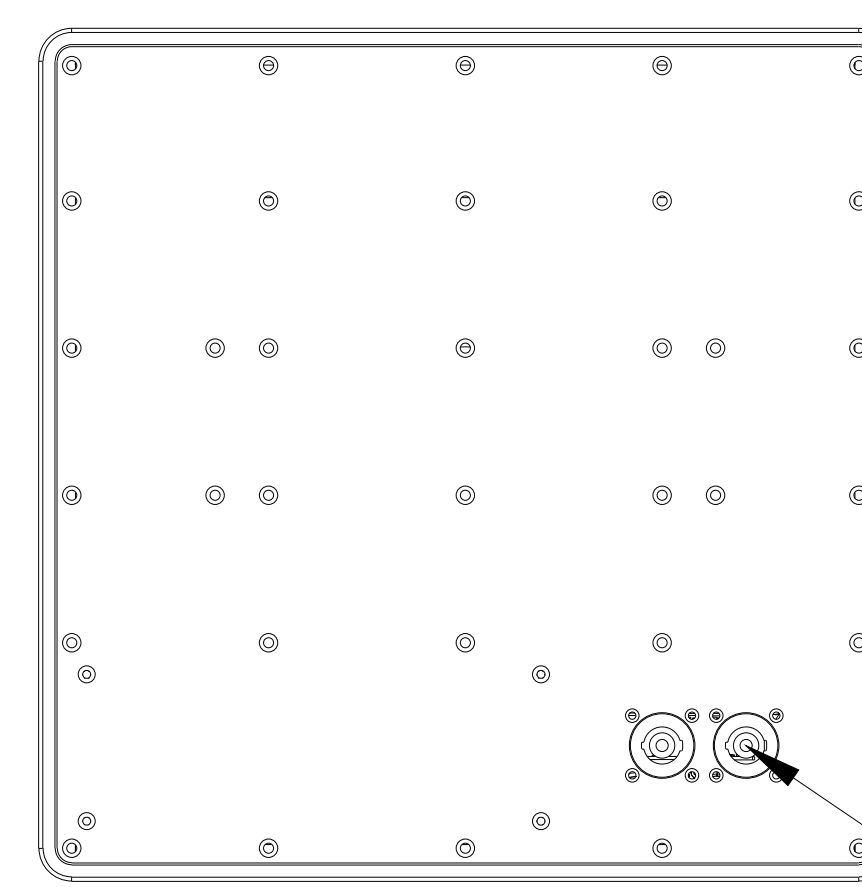
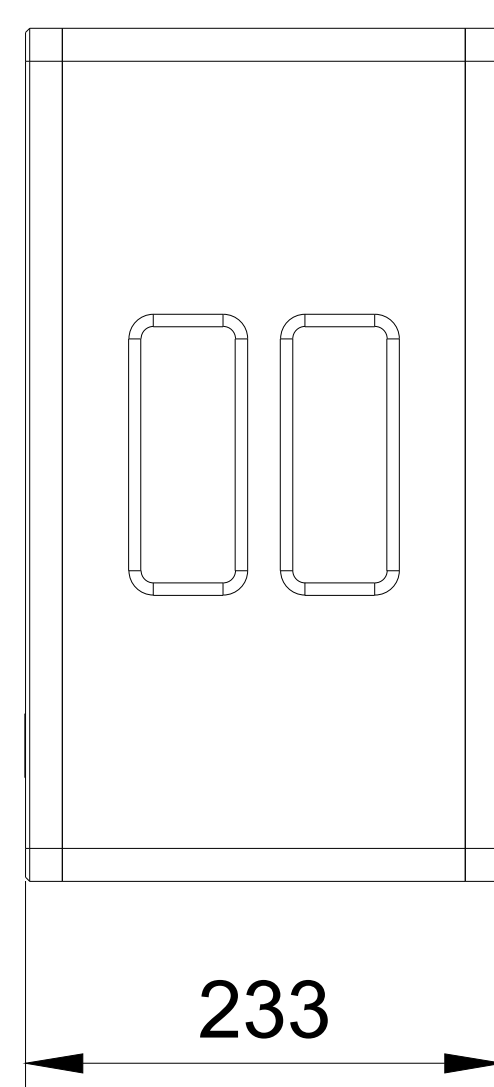
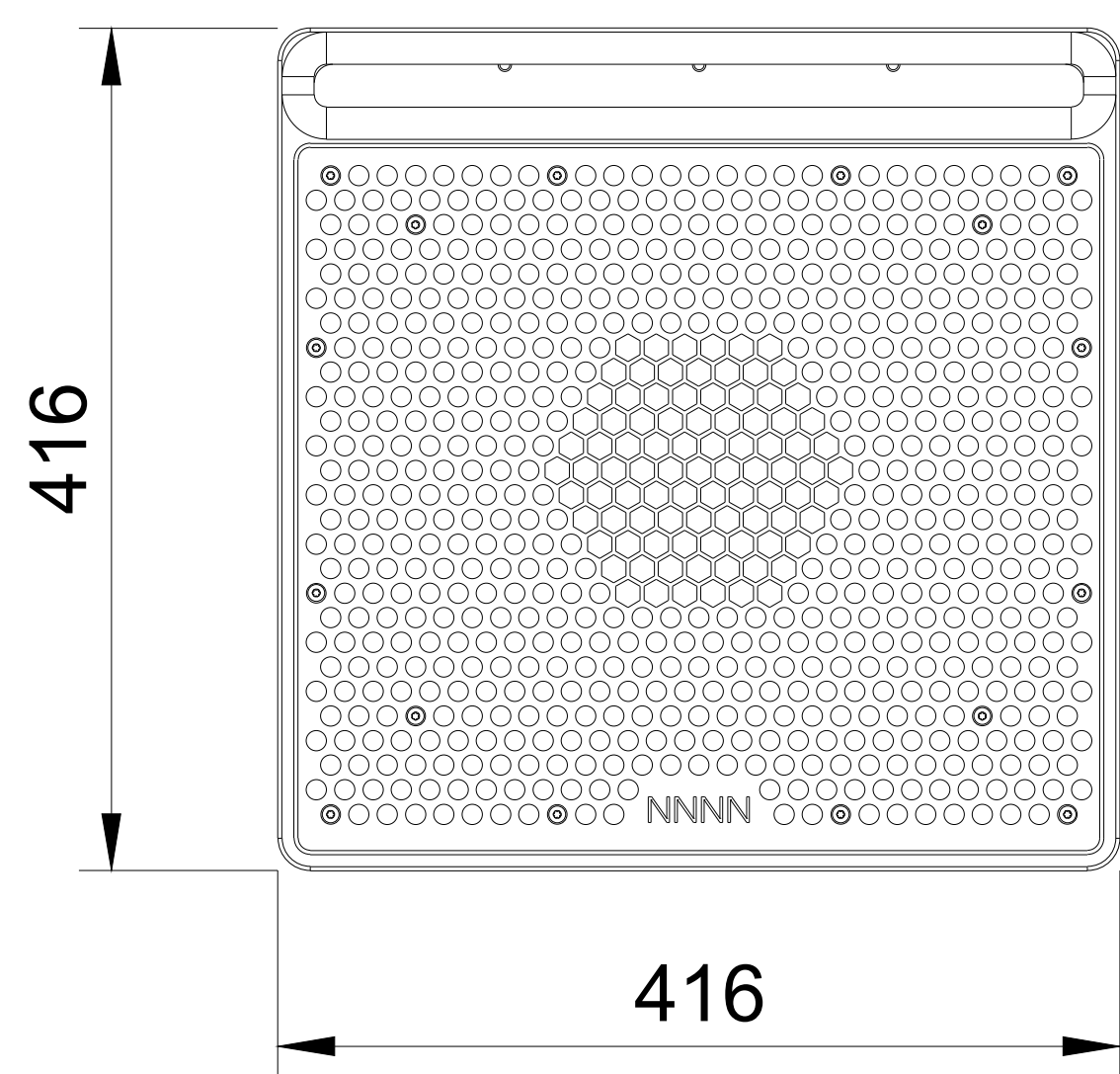


# Gage 60 P

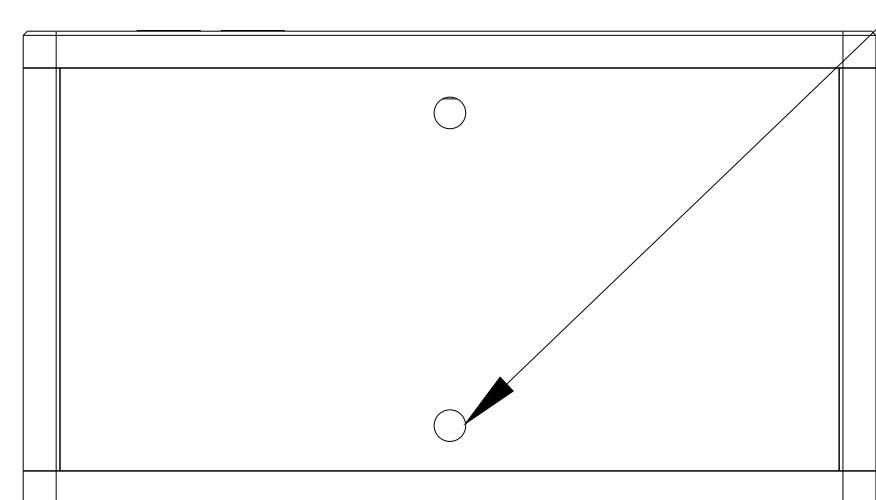
Coaxial Point Source



Ø35 ∇ 105



2x Speakon NLT4MP



M10 ∇ 15

