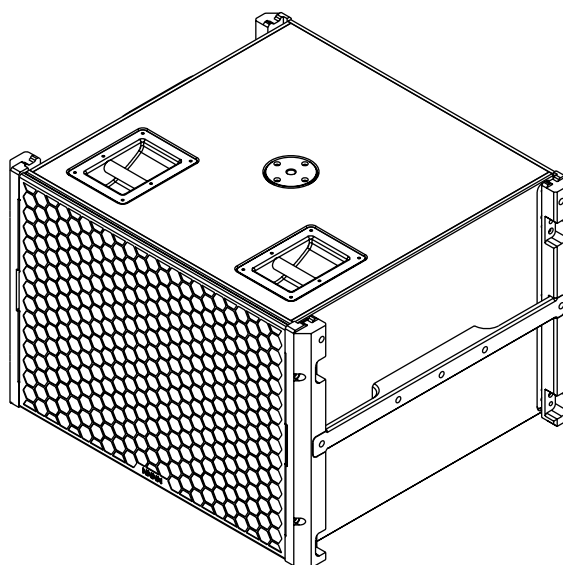


Specifications

TRADA 30



System data

Frequency response \pm 3dB	30 - 200 Hz
Max cont. SPL (1m, 2Pi)	137 dB

Loudspeaker data

Nominal impedance front/rear	8 ohms
Power handling capacity (cont./peak)	1800 W
Connections	2 \times SpeakON [®] 4 pole
Components	21"

Physical data

Height	590 mm / 23.3"
Width	870 mm / 34.3"
Depth	787 mm / 31.0"
Weight	76 kg / 167.6 lbs

Measurements

