

TRENT 35A

Multi Purpose Subwoofer
Owner's Manual 1.0

NNNN

Version 1.0
Updated versions uploaded to www.nnnn.no

© 2023 by NNNN AS ; all rights reserved

Keep this document with the product or in safe storage so it is readily available if needed.

This document should accompany the product if it is ever resold.

NNNN AS
Syretårnet 43, 3048 Drammen, Norway
T +47 982 89 816
info@nnnn.no

Contents

1	Safety Precautions.....	4
2	Trent 35	5
2.1	Product Description.....	5
2.2	Technical Specifications.....	5
2.3	Connections & Indicators.....	6
2.4	Stacking.....	7
3	Configurations.....	8
4	Declarations of Conformity.....	9

1 Safety

Personal injury

This box can be LOUD! Always be cautious when working with high output loudspeakers, do not stand in close proximity when driven at high volume. Even volume levels considered low can damage hearing with excessive continuous exposure.

When rigging your speakers, make sure that they are placed on a stable foundation. Whether they are flown, on a pole or placed on top of other equipment, take care to assure a mechanically stable set-up.

Only use the accessories provided by NNNN for flying the loudspeaker. Be mindful to check weight restrictions, safety guidelines and installation procedures for third party accessories used for installing.

Be careful to avoid pinching or carrying too much weight when transporting or deploying equipment.

Remember to check the loudspeaker regularly for any wear and tear and replace loudspeakers when necessary.

All load bearing bolts and fixtures must be checked regularly, and thread locking compound must be used where appropriate.

Material Damage

Loudspeakers contain magnets, they have some interesting properties that could be detrimental to other equipment in their vicinity. Hard drives, bank cards and video monitors can be damaged by being exposed to these magnets.

Do not put the speakers in water. Especially if they are plugged into power. Electricity and water do not always go well together.

Avoid installing the loudspeaker near heat sources such as stoves, radiators or direct sunlight.

Refer all servicing to qualified NNNN service personnel.

2 Trent 35

2.1 Product description

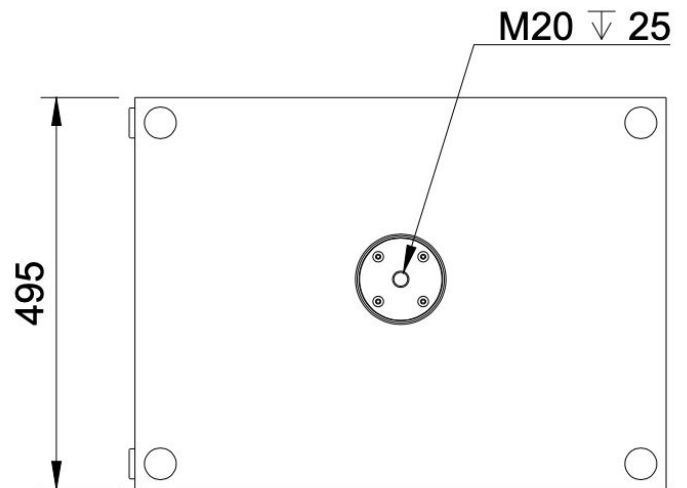
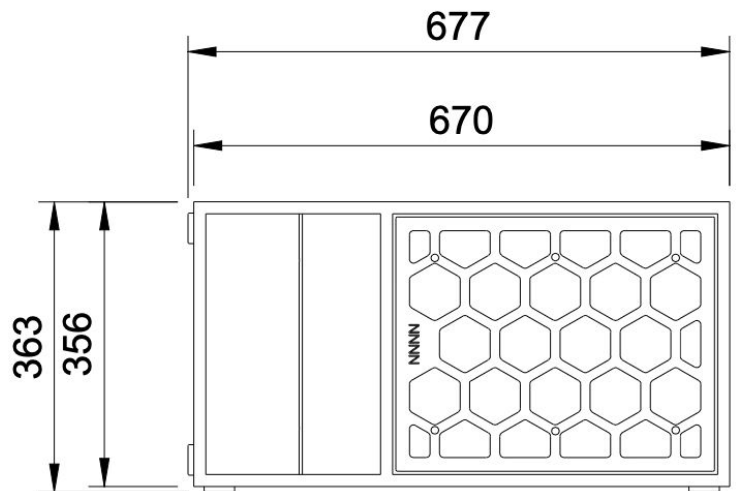
The Trent 35 transmission line loaded subwoofer provides an effortless low end in a small enclosure.

Compact, Stackable and Deep.

The frequency response of the Trent 35 extends from 35Hz to 80Hz. The Trent 35 can be used as low-end support for all NNNN speakers. Pairs particularly well with the Gage 60 coaxial point-source. Visit www.nnnn.no for more information.

The cabinet is made of high quality birch plywood, coated with a durable textured paint. There is one M20 threaded pole mount attachment point, for simple and efficient rigging.

The back of the cabinet has an extended lip for handling. The top and left side of the cabinet is equipped with rubber feet for stacking and protection.



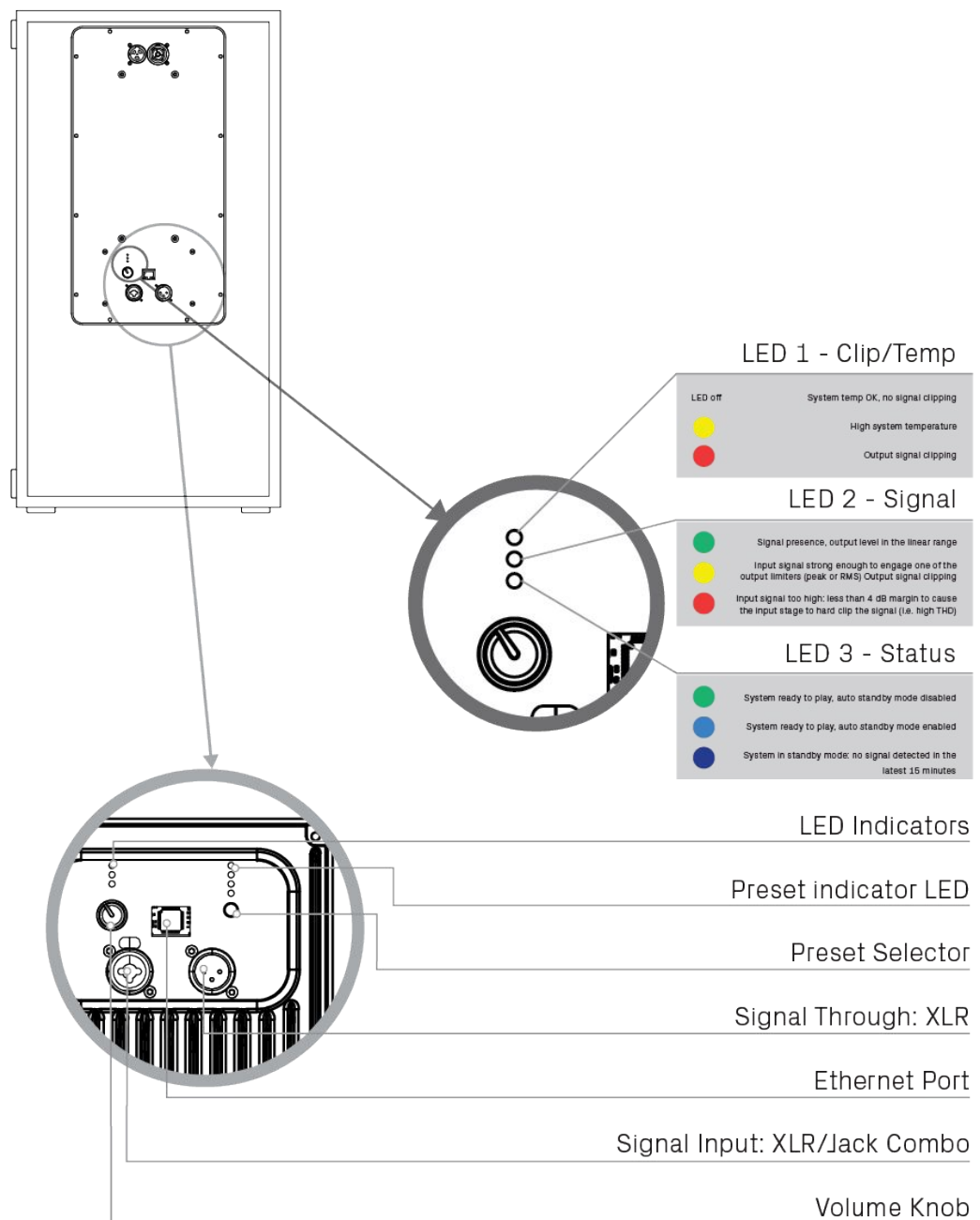
2.2 Technical Specifications

Frequency response (+3dB):	35 - 80 Hz
Nominal Dispersion:	Omni
Max SPL (1m, 2Pi)::	127dB
Driver:	12"
Nominal impedance:	8 Ohm
Weight:	25kg

2 Trent 35

2.3 Connections & Indicators

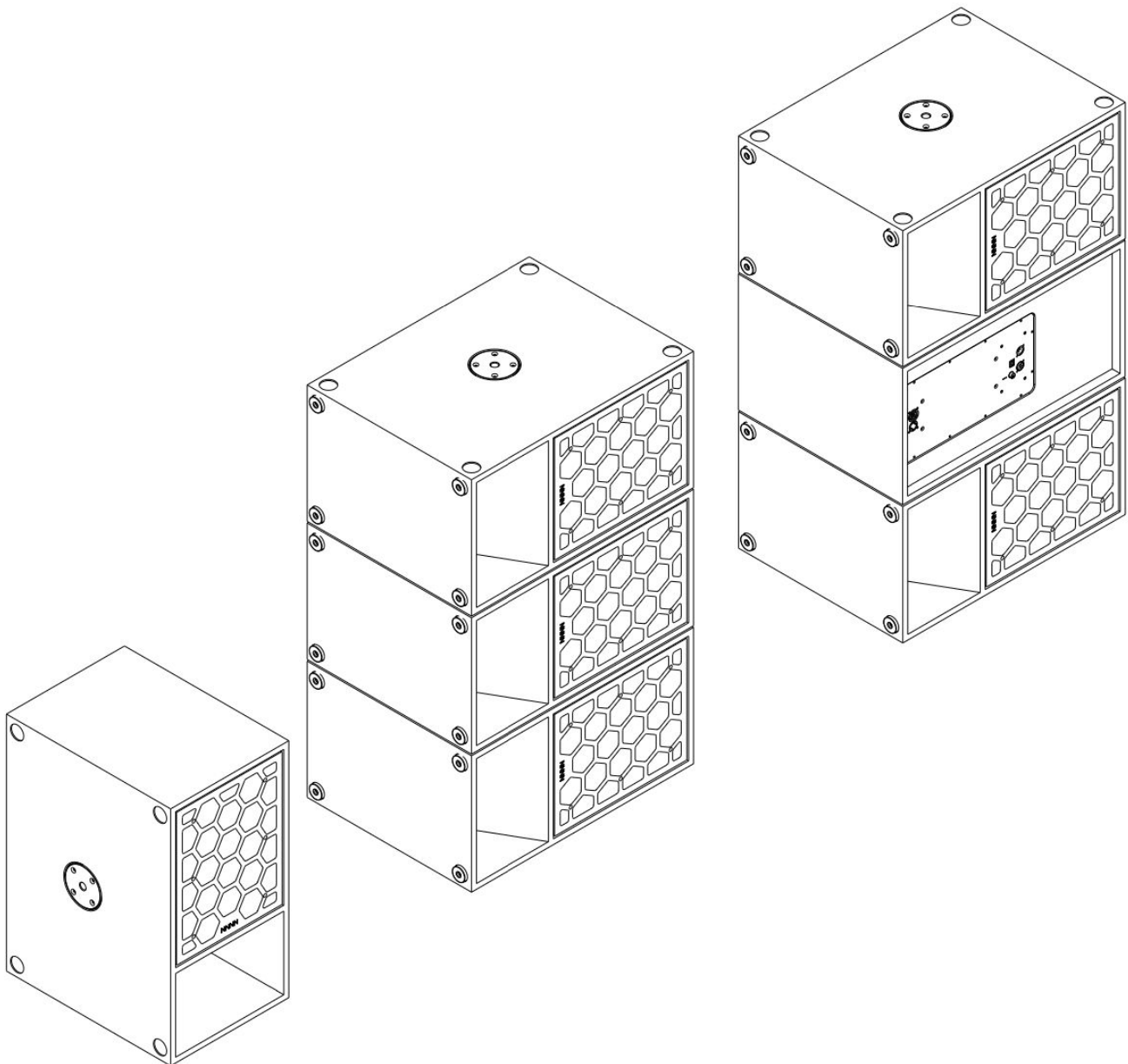
The TRENT 35A has a single XLR/Jack Combo input, and a XLR passthrough output. In addition there is a volume knob, power in and through and LED indicators displaying the state of the internal DSP as well as preset indicator LEDs.



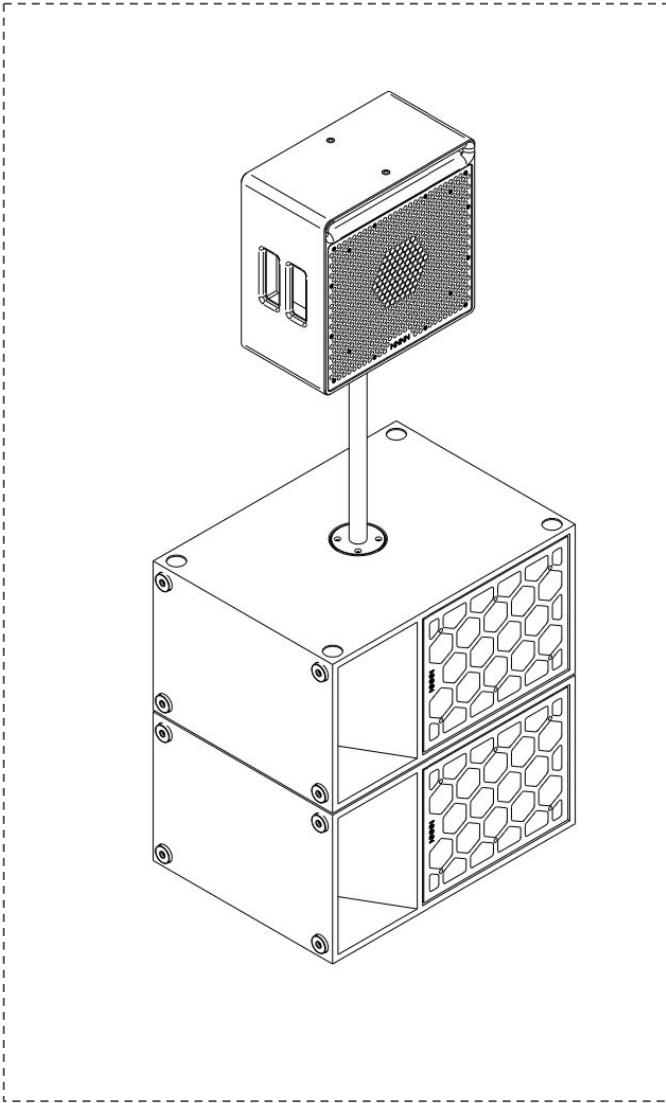
2 Trent 25

2.4 Stacking

Trent 35s can be stacked from two sides. It is also possible to stack Trent 35 cabinets in opposite directions.

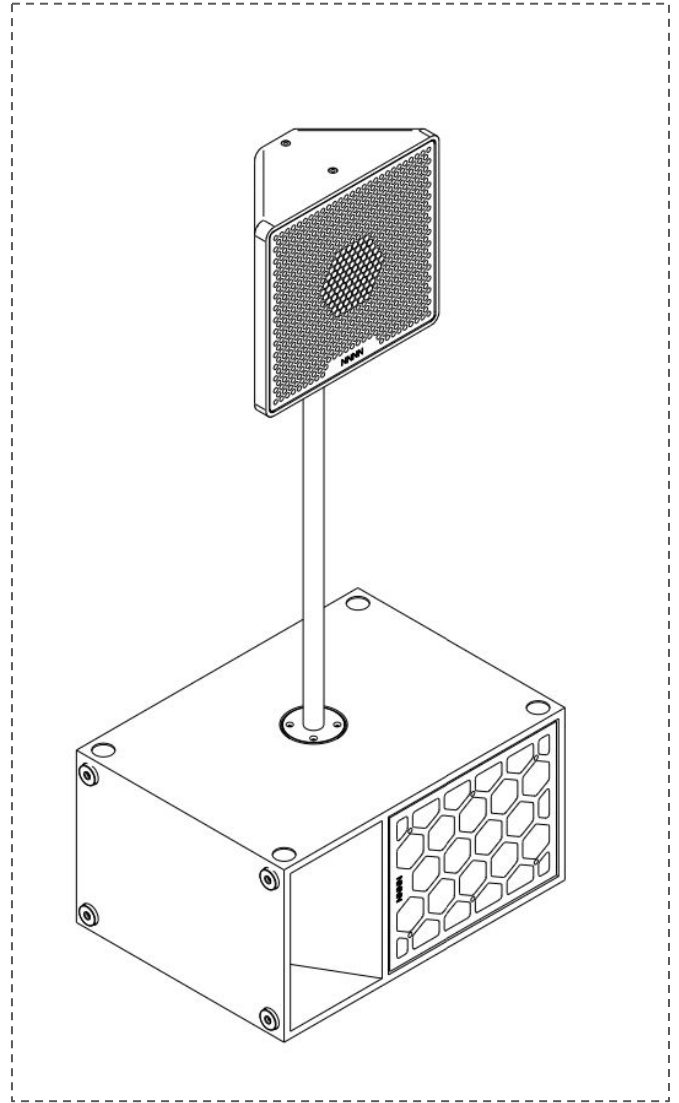


3 Configurations



2x Trent 35 & Gage 60

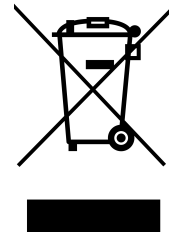
Two Trent 35's in combination with a Gage 60 is a powerful full range system that is especially convenient to transport.



Trent 35 & Gage 125

Pairing Trent 35 with a Gage 125 offers a lightweight, portable and good sounding system.

4 Declarations of Conformity



EU conformity

This declaration applies to the self powered loudspeakers manufactured by NNNN.

We declare that under our sole responsibility the products:

Model Names: Trent 35A

Intended use: Professional Audio

Are in conformity with the provisions of the following EC Directives, including all amendments, and with national legislation implementing these directives:

- 2006/95/EC Low Voltage Directive
- 2004/108/EC Electromagnetic Compatibility Directive
- 2002/95/CE RoHs Directive

The following harmonized standards are applied:

- EN 55103-1
- EN 61000-3-2
- EN 61000-3-3
- EN 55103-2
- EN 61000-4-2
- EN 61000-4-3
- EN 61000-4-4
- EN 61000-4-5
- EN 61000-4-6
- EN 61000-4-11 f EN 60065

Weee statement

The Waste Electrical and Electronic Equipment Directive (WEEE Directive) aims to minimise the impact of electrical and electronic goods on the environment.

In the unlikely event of an NNNN product being eligible for disposal, electrical and electronic equipment must be disposed of separately from normal waste at the end of its operational lifetime. Please dispose of this product according to the respective national regulations or contractual agreements. If there are any further questions concerning the disposal of this product, please contact NNNN.

Revision Log:

Revision	Description	Reason	Page	Date